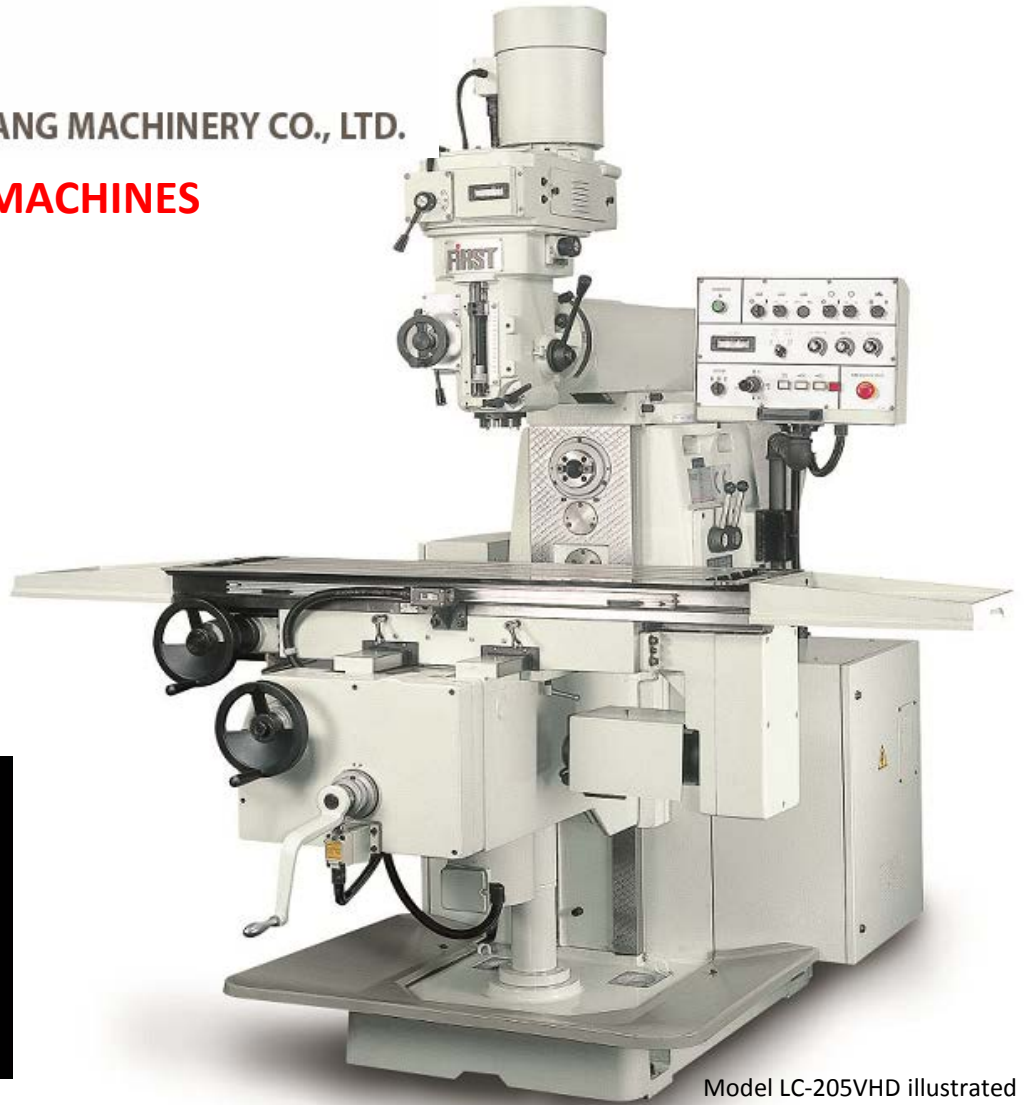


DC SERVO MILLING MACHINES

LC-205 Series



Model LC-205VHD illustrated



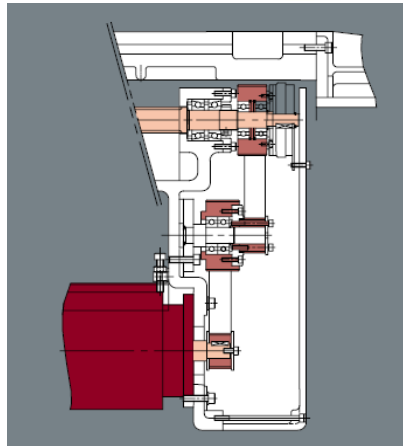
CONTROL PANEL

For safety all control switches are wired low voltage. For operator's convenience control panel swivels on a swing arm.



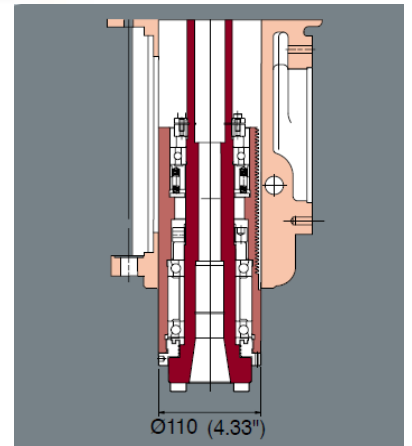
SPINDLE UNIT

Spindle is made from one piece of Ni-Cr alloy steel and supported by two precision angular contact and one ball bearing to ensure rigidity. The inner taper surface was induction hardened and precision ground to ensure durability. The spindle inner taper runout remains within 0.002mm.



X, Y AXES TRANSMISSION SYSTEM

Driven by a powerful DC Servo motor. A backlash-free timing belt provides a large feedrate range and smooth axes motion. Easy to use automatic machining cycles. Machine can run automatically.



QUILL AND HOUSING

The 110mm, 4.3" diameter large quill is chromed and mirror finished, then individually fitted to each quill housing. This close matching process offers extremely high spindle accuracy and machining stability.

FIRST		LC-205VSD	LC-205VHD
TRAVEL			
X-Axis		835mm (32.8")	
Y-Axis		410mm (16.14")	
Z-Axis		460mm (18")	435mm (17.12")
Guideway type X / Y / Z		dovetail / box / box	
Bedway X / Y		hardened & ground Turcite-B	
TABLE			
Work surface		1300 x 300mm (51 x 11.8")	
Work surface to ground	A01	935-1395mm (36.8-54.9")	935-1370mm (36.8-53.9")
T-slot number (width x pitch)		3 (15.875 x 63.5mm) / 3 (0.625 x 2.5")	
Max table load		250 kg (550 lb)	
VERTICAL SPINDLE			
Taper		ISA40	
Spindle drive motor		5hp	
Spindle speed (variable)		25-3600rpm	
Quill travel		135mm (5.3")	
Quill diameter		110mm (4.33")	
Quill feeds		0.035, 0.07, 0.14mm/rev (0.0014, 0.0028, 0.0055"/rev)	
Head swivel R & L	B01	90°	
Overarm travel	B05	470mm (18.5")	
Overarm swivel		360°	
Spindle nose to table	B03	40-500mm (1.5-19.6")	75-510mm (2.9-20")
Spindle nose to column face	B04	355-825mm (14-32.5")	
HORIZONTAL SPINDLE			
Taper		-	ISA40
Horizontal spindle drive motor		-	5hp
Spindle speed (6 steps)		-	55-1180rpm
Spindle center to table surface		-	-25 - 410mm (-1 - 16.1")
Spindle center to overarm surface		-	146mm (5.7")
Spindle face to column surface		-	28mm (1.1")
FEED SYSTEM			
Longitudinal feed (variable)		22-2100mm/min (0.8-82.7"/min)	
Longitudinal rapid feed		2100mm/min (82.7"/min)	
Vertical rapid feed		800mm/min (31.5"/min)	
Longitudinal feed motor		DC Servo / 4.5Nm	
Cross feed motor		DC Servo / 4.5Nm	
Vertical feed motor		1 1/2hp 6P	
GENERAL			
Electrical rating		230V 30Amp 3Ph 60Hz	
Depth	A02	1900-2300mm (74.8-90.55")	
Width	A03	2160mm (85")	
Height	A04	2450mm (96.45")	
Weight		1800 kg (3970 lb)	2010 kg (4430 lb)

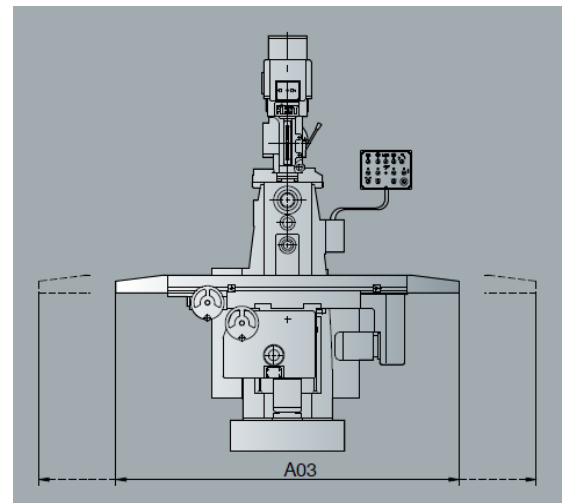
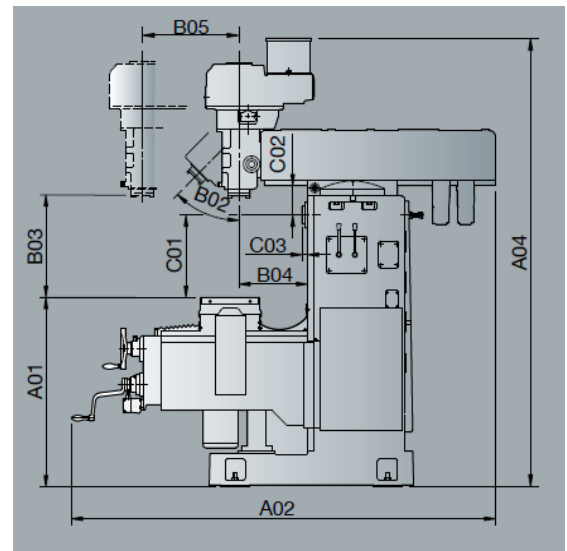
STANDARD ACCESSORIES

- Rubber chip covers F & R
- Automatic lubrication system
- Coolant system
- Splash / Chip tray
- Heidenhain 2-Axis readout

OPTIONAL ACCESSORIES

- Align air power drawbar
- LED Machine lamp 110V
- Heidenhain 3-Axis readout

11212017



Distributor: **Heinman Machinery Ltd.**

6105 Kestrel Rd, Mississauga ON L5T 1Y8

T 905-564-9479

www.heinmanmachinery.com

sales@heinmanmachinery.com